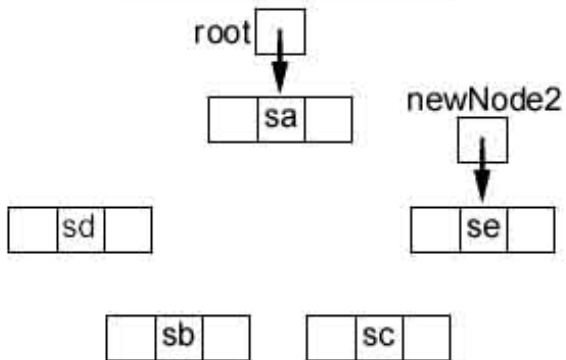
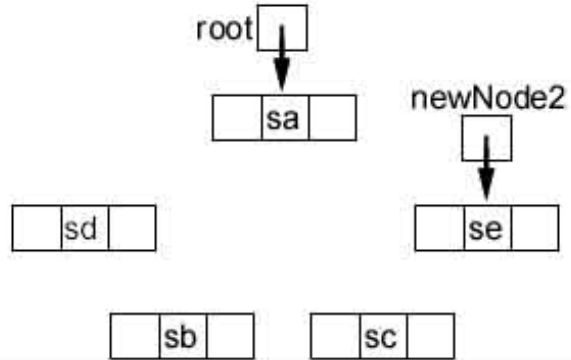
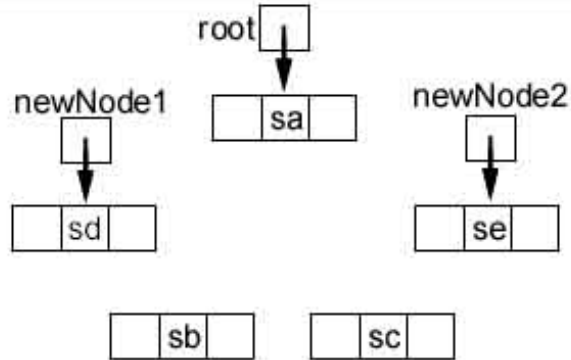
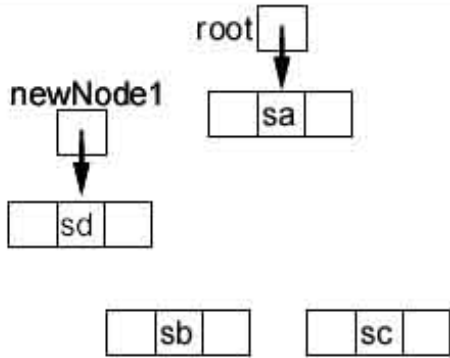
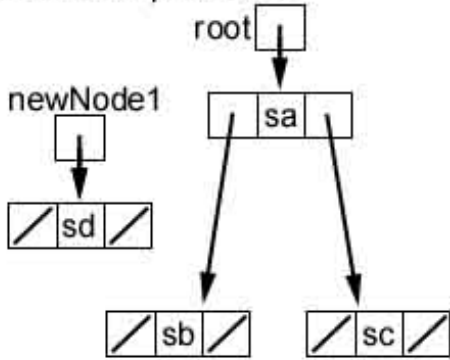


Insert newNode1 at position 2, then insert newNode2 at position3.



Name:

Login:

Section:

Remove and return the Node with a string equal to sb.

